

VIVID 35



language



VIVID 35

Traditional compact tractor with rigid chassis and differentiated wheels.

Four-wheel drive, short wheel base and large turning angles make Vivid 35 an agile and high performing multi-functional tractor: from transport operations inside the farm to work in the field and in vineyard and orchard rows, from greenhouses and nurseries to professional greens maintenance and winter use by municipalities.

A machine that offers the benefits of the BCS brand: compact dimensions, reliability, comfort and safety.

WIDE RANGE OF OPTIONALS

Front lift with front and under-belly PTO at 1700 rpm, rear lift with position and draft control, seat with spring, adjustable steering wheel, rear work light, front weights and wheel weights, tyres with Tractor or Garden profile.



Generous hydraulic system
with the possibility of fitting up to a maximum of 6 hydraulic outlets.

Synchronised gearbox
(12 FWD + 12 REV) with synchronised reverser.

Maximum speed
of 30 km/h.

4WD
with front-wheel drive disengagement.

PTO independent from the gearbox
and synchronised with the forwarding speed.

Rear Brakes
with multidisc in oil bath.

GENEREROUS ENGINE

In the power range below 19 kW, the new Kohler KDW 1404 proves to be a generous engine because with 4 cylinders and 1400 cubic centimetres, it develops a torque of 78 Nm.

The addition of a speed governor makes the engine snappier and more responsive to loads.



DRIVING POSITION

The driving position of Vivid 35 was designed to-measure for the driver with all of the controls set up ergonomically and easy to use.

Comfort seat with adjustable spring tension according to the operator's weight and height-adjustable steering wheel (opt.) to configure the driver's seat for the maximum operational comfort.

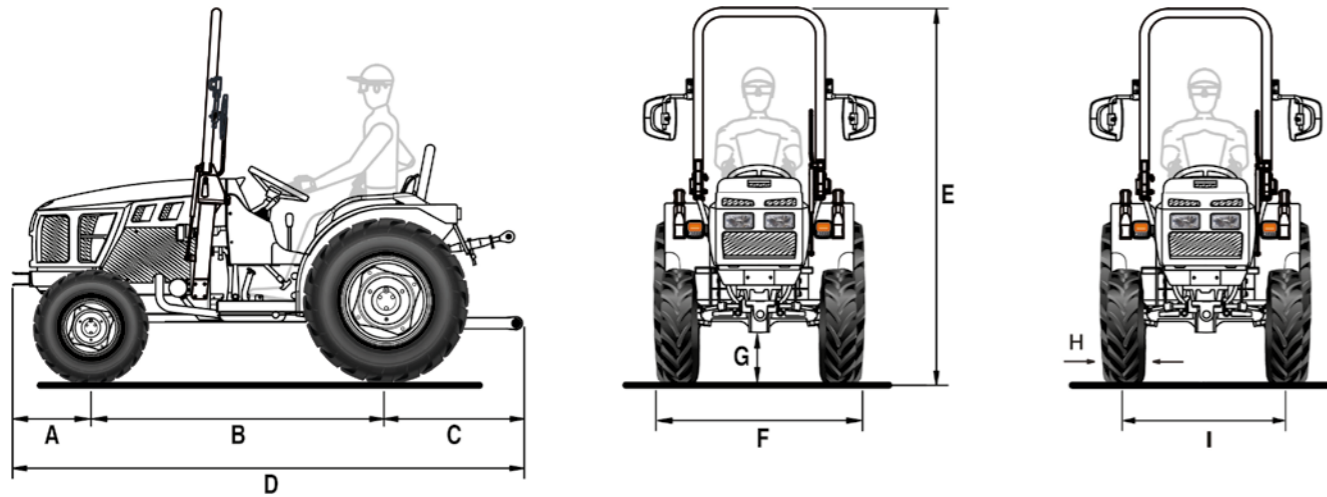
A modern dashboard with analogue instruments offers total control of the tractor's status.

Hydrostatic steering guarantees maximum manoeuvrability and contained turning radii to work better even in tight spaces.



VIVID 35

Data Sheet



A	B	C	D	E max	F min/max	G min/max
424	1553	730	2707	2505	957 / 1401	242 / 272

* Dimensions in mm

	6.5/80-12	250/80-18	23x8.50-12	280/70 R18	7.00-12	300/70 R20	25x8.50-14 Garden	380/70D-15 (36x13.50-15) Garden
	front	rear	front	rear	front	rear	front	rear
H	165	240	213	282	192	286	213	381
I	868 / 1104	791 / 1107	932 / 1044	779 / 1119	924 / 1146	671 / 1227	960 / 1016	907 / 991
F	1033 / 1269	1121 / 1347	1145 / 1257	1151 / 1401	1116 / 1296	957 / 1513	1173 / 1229	1288 / 1372

* Dimensions in mm - min / max
H = Tyre width - I = Wheel track - F = Tractor width

TECHNICAL FEATURES	VIVID 35
ENGINE	Kohler KDW 1404
No. of cylinders	4
Displacement (cc)	1372
Intake	Natural
Emissions compliance	Stage V
Power (kW/hp)	18.8 / 25.6
Rated speed (rpm)	3000
Max torque (Nm/rpm)	78 / 2000
Cooling	Liquid
Tank capacity (l)	26
CHASSIS	Rigid with steering wheels
DRIVE	Four-wheel drive with front-wheel drive disengagement
TRANSMISSION	24-speed synchronised gearbox: 12 FWD and 12 REV with synchronised reverser
Min/max travel speed (km/h)	0.6 / 30
Transmission clutch	Dual disc with pedal control for the gearbox - Hand lever control for the PTO
DIFFERENTIAL LOCK	Rear with mechanical control
AXLES	Front: steering, portal axle with bevel drive gear set and lateral bull-gear units - Rear: with planetary reduction units
REAR PTO	Independent from the gearbox, 540 rpm and synchronised with forwarding speed
Engagement control	Mechanical
HYDRAULIC SYSTEM	With hydraulic gear pump
Flow rate to the hydroguide, lift and control valves (l/min)	19.3
Maximum hydraulic pressure (bar)	110
REAR CONTROL VALVES	Mechanically controlled
Standard	1 double-acting (total 2 hydraulic outlets)
Optional and in addition to the standard ones	For lift by rams: 1 single-acting and 1 double-acting with float (total 5 hydraulic outlets) or 2 double-acting including 1 with or without delivery lockable position (total 6 hydraulic outlets). - For lift with draft and position control: 1 single-acting (total 3 hydraulic outlets) or 1 double-acting with lockable position (total 4 hydraulic outlets)
ELECTRIC SYSTEM	Battery: 45 Ah / 12 V - Alternator: 30 A
Rear power socket	7 pins
REAR LIFT	By two external rams. Standard: raising/lowering - Optional: position and draft control
3-point implement hitch	Normal couplings cat. 1
Third point tie rod	With manual adjustment
Ball joint lifting capacity (kg)	750
FRONT LIFT (optional)	Couplings cat. 1N, with front and under-belly PTO at 1700 rpm
Lifting capacity (kg)	350
SEAT	With safety belt and man-on-board sensor. Standard: upholstered seat, cushioned, adjustable springs and positions - Optional: 'Kab' lowered seat
SERVICE BRAKES	Rear, multidisc in oil bath
Parking brake	Acting on service brakes
STEERING	Hydrostatic steering acting on the front wheels
SAFETY	Front homologated roll-bar with gas spring for easy lowering and lifting
DASHBOARD	With instrumentation complete with fuel level indicator, engine coolant temperature, engine rpm, operating hours and warning lights
TYRES	6.5/80-12*250/80-18 - 23x8.50-12*280/70R18 - 7.00-12*300/70R20 - 25x8.50-14*380/70D-15 (36x13.50-15) Garden
TOW HOOKS (standard)	Front - Rear CUNA cat. B adjustable in height
Optional	Rear EC approved, adjustable in height
RUNNING ORDER WEIGHT with roll-bar (kg)	1100
ADDITIONAL OPTIONS	Height-adjustable steering wheel, 1700 rpm under-belly PTO, adjustable rear working light, beacon lamp, front weights 60 kg, rear wheel weights 45 kg each.

THE SERVICES



SPARE PARTS

A complete range of original spare parts, guaranteed directly by the manufacturer.



ASSISTANCE

A team of specialists, well prepared and available to assure an efficient and resolving service.



LUBRICANTS

We recommend to use the original PowerLube lubricants.



FINANCIAL SERVICES

Financial solutions to meet the credit requirements.



M A D E I N I T A L Y

